



Touch Panel Monitors
DuraVision®

FDF2382WT-A / FDF2182WT / FDS1783T



Highly-Durable Multitouch Monitors for Industrial, Medical, and Public Facilities

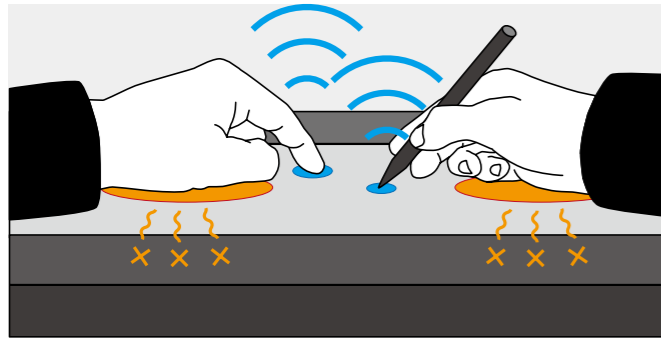
Intuitive Touch Operation

The monitors feature projected capacitive (PCAP) touch technology that accepts touch input from a bare finger or stylus. High responsiveness to tapping, swiping, and flicking motions makes touch operation intuitive and smooth for use in a range of environments.



10-Point Multitouch

The monitors can detect up to 10 simultaneous touch points and are equipped with palm rejection, allowing you to rest your hand directly on the screen without causing any unintended input.



Palm rejection minimum activation area is 2 x 2 cm for FDF2382WT-A / FDS1783T and 4 x 4 cm for FDF2182WT.

Sensitivity Calibration

The monitors are equipped with technology that automatically calibrates touch sensitivity to correct deviations caused by environmental factors and electromagnetic noise, ensuring stable touch operation at all times.

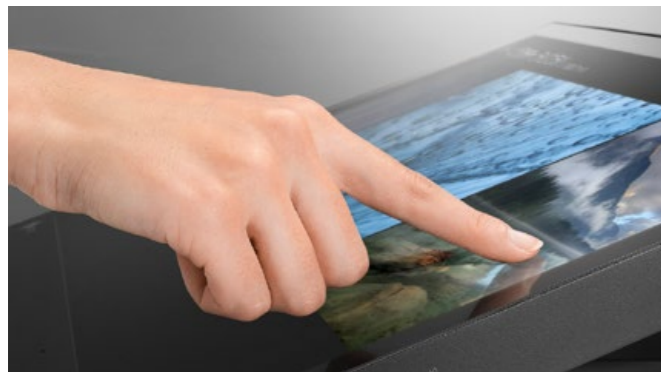
Touch Detection Control

To prevent unintended input when cleaning the surface, easily enable or disable touch detection by pushing the button conveniently located on the side of the monitors.



Fully Flat Design

The fully flat bezel design provides a seamless touch experience to the edge of the screen, and allows for smooth operations.

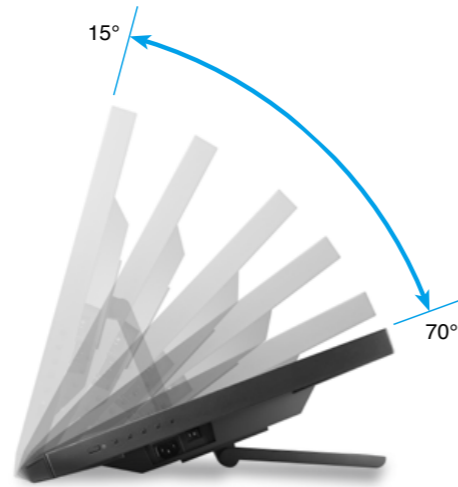


High Visibility

To maintain visibility, the panels are treated with an anti-glare coating to minimize reflections and an anti-fingerprint coating to prevent smudging.

Reclining Stand

The equipped stand provides flexible positioning, allowing the monitors to rest on your desk like a laptop and recline back to your desired angle. This makes it easy to place them in the ideal position for comfortable use in any environment.



Complete Connection

The monitors are equipped with DisplayPort™, HDMI®, and D-Sub inputs conveniently located on the side for easy access.

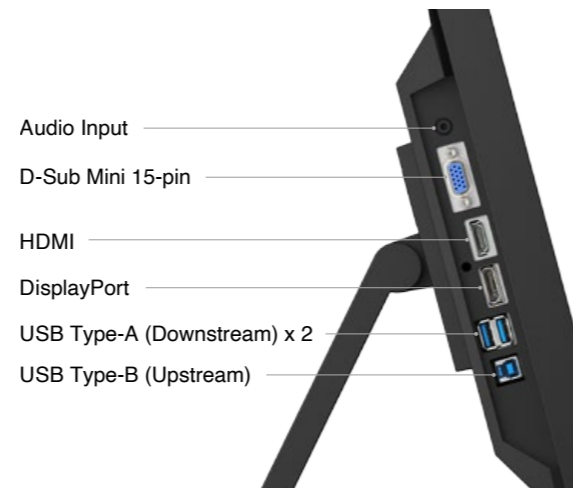


Image shows FDF2382WT-A.

Touch Operation Without Additional Drivers

The multitouch interface is supported by standard Windows 11 / 10 drivers. By simply connecting a USB cable, you can operate the touch panels without additional drivers.

Durable and Reliable

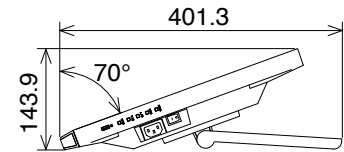
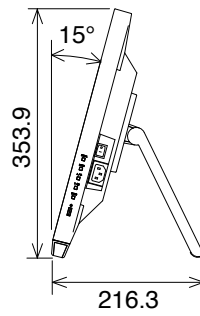
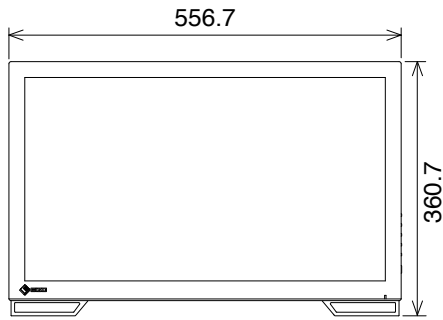
The touch screens have a non-scratch surface made of reinforced glass, making them durable enough to withstand long-term use, and the monitors are backed by a 3-year manufacturer's warranty, ensuring long-term reliability.

Specifications

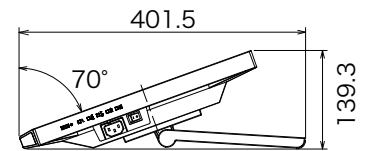
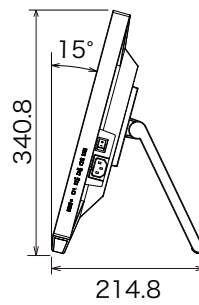
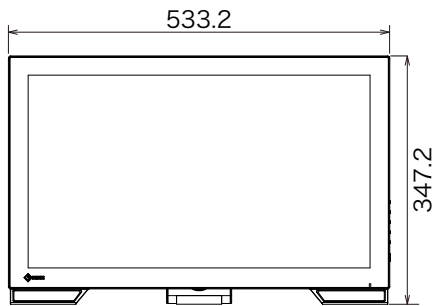
Model		FDF2382WT-A	FDF2182WT	FDS1783T
Product image				
Model Variations		FDF2382WT-ALBK: with LaidBack stand, black FDF2382WT-ALGY: with LaidBack stand, gray FDF2382WT-AFBK: without stand, black FDF2382WT-AFGY: without stand, gray	FDF2182WT-LBK: with LaidBack stand, black FDF2182WT-LGY: with LaidBack stand, gray FDF2182WT-FBK: without stand, black FDF2182WT-FGY: without stand, gray	FDS1783T-LBK: with LaidBack stand, black FDS1783T-LGY: with LaidBack stand, gray FDS1783T-FBK: without stand, black FDS1783T-FGY: without stand, gray
Panel	Type	IPS	VA	IPS
	Backlight	LED	LED	LED
	Size	23.0" (58.0 cm)	21.5" (54.7 cm)	17.0" (43.0 cm)
	Native Resolution	1920 x 1080 (16:9 aspect ratio)	1920 x 1080 (16:9 aspect ratio)	1280 x 1024 (5:4 aspect ratio)
	Viewable Image Size (H x V)	509.2 x 286.4 mm	476.6 x 268.1 mm	337.9 x 270.3 mm
	Pixel Pitch	0.265 x 0.265 mm	0.248 x 0.248 mm	0.264 x 0.264 mm
	Display Colors	16.77 million	16.77 million	16.77 million
	Viewing Angles (H / V, typical)	178° / 178°	178° / 178°	178° / 178°
	Brightness (typical)	260 cd/m ²	230 cd/m ²	360 cd/m ²
	Contrast Ratio (typical)	1000:1	5000:1	1000:1
Response Time (typical)	11 ms (gray-to-gray)	25 ms (black-white-black)	14 ms (gray-to-gray)	
Touch Panel	Type	Projected Capacitive	Projected Capacitive	Projected Capacitive
	Touch Points	10	10	10
	Surface Treatment	Anti-Glare coating	Anti-Glare coating, Anti-Fingerprint coating	Anti-Glare coating, Anti-Fingerprint coating
	Communication Protocol	USB	USB	USB
	Surface Hardness	5 H	7 H	5 H
	Compatible OS	Windows 11, Windows 10 (64-bit, 32-bit)	Windows 11, Windows 10 (64-bit, 32-bit)	Windows 11, Windows 10 (64-bit, 32-bit)
Video Signals	Input Terminals	DisplayPort (HDCP1.3), HDMI (HDCP1.4), D-Sub mini 15 pin	DisplayPort (HDCP1.3), HDMI (HDCP1.4), D-Sub mini 15 pin	DisplayPort (HDCP1.3), HDMI (HDCP1.4), D-Sub mini 15 pin
	Digital Scanning Frequency (H / V)	31 - 68 kHz / 59 - 61 Hz	DisplayPort: 31 - 68 kHz / 59 - 61 Hz HDMI: 31 - 68 kHz / 49 - 51 Hz, 59 - 61 Hz	31 - 64 kHz / 59 - 60 Hz
	Analog Scanning Frequency (H / V)	31 - 81 kHz / 55 - 76 Hz	31 - 81 kHz / 55 - 76 Hz	31 - 80 kHz / 56 - 75 Hz
	Sync Formats	Separate	Separate	Separate
USB	Upstream	USB 5Gbps: Type-B	USB 5Gbps: Type-B	USB 5Gbps: Type-B
	Downstream	USB 5Gbps: Type-A x 2	USB 5Gbps: Type-A x 2	USB 5Gbps: Type-A x 2
Audio	Speakers	1.0 W + 1.0 W	1.0 W + 1.0 W	2.0 W + 2.0 W
	Input Terminals	Stereo mini jack, DisplayPort, HDMI	Stereo mini jack, DisplayPort, HDMI	Stereo mini jack, DisplayPort, HDMI
	Output Terminals	-	-	-
Power	Power Requirements	AC 100 - 240 V, 50 / 60 Hz	AC 100 - 240 V, 50 / 60 Hz	AC 100 - 240 V, 50 / 60 Hz
	Typical Power Consumption	12 W	10 W	6 W
	Maximum Power Consumption	47 W	42 W	45 W
	Power Save Mode	0.5 W or less	1.2 W or less	0.5 W or less
	Preset Modes	User1, User2, sRGB	User1, User2, sRGB	User1, User2, sRGB
Physical Specifications	Dimensions (Landscape, W x H x D)	556.7 x 143.9 - 353.9 x 216.3 - 401.3 mm	533.2 x 139.3 - 340.8 x 214.8 - 401.5 mm	391.8 x 141.6 - 348 x 214.9 - 400.4 mm
	Dimensions (Without Stand, W x H x D)	556.7 x 339.2 x 54 mm	533.2 x 325.7 x 54 mm	391.8 x 330.6 x 54 mm
	Net Weight	6.6 kg	5.6 kg	4.4 kg
	Net Weight (Without Stand)	6 kg	5.1 kg	3.9 kg
	Tilt	15° - 70°	15° - 70°	15° - 70°
	Hole Spacing (VESA Standard)	100 x 100 mm, M4, screw depth 3.0 - 10.0 mm	100 x 100 mm, M4, screw depth 3.0 - 10.0 mm	100 x 100 mm, M4, screw depth 3.0 - 10.0 mm
	Operating Temperature	5 - 35°C	5 - 40°C	5 - 35°C
Operating Humidity (R.H., non condensing)	20 - 80%	20 - 90%	20 - 80%	
Certifications & Standards (Please contact EIZO for the latest information.)		CB, CE, UKCA, cTUVus, FCC-B, CAN ICES-3 (B), TÜV/S, PSE, VCCI-B, CCC, RCM, EAC, RoHS, WEEE, China RoHS	CB, CE, UKCA, cTUVus, FCC-B, CAN ICES-3 (B), TÜV/S, PSE, VCCI-B, CCC, RCM, EAC, RoHS, WEEE, China RoHS	International Standard (IEC60601-1), CB, CE, UKCA, cTUVus, FCC-B, CAN ICES-3 (B), VCCI-B, RCM, RoHS, WEEE, TÜV/S, PSE
	Signal Cables	DisplayPort (2 m), HDMI (2 m)	DisplayPort (2 m), HDMI (2 m)	DisplayPort (2 m), HDMI (2 m)
Supplied Accessories (May vary by country. Please contact EIZO for details.)	Others	FDF2382WT-AL: AC power cord (2 m), USB Type-A - USB Type-B cable (2 m), Cleaning cloth, Mask Sheet x 2, Setup guide, Cable clasper	FDF2182WT-L: AC power cord (2 m), USB Type-A - USB Type-B cable (2 m), Cleaning cloth, CD-ROM (PDF user's manual, Touch panel driver), Mask sheet x 2, Setup guide	FDS1783T-L: AC power cord (2 m), USB Type-A - USB Type-B cable (2 m), Cleaning cloth, Setup guide, cable clasper, Mask Sheet x 2
		FDF2382WT-AF: AC power cord (2 m), USB Type-A - USB Type-B cable (2 m), Cleaning cloth, Setup guide, VESA mounting screw (M4 x 12 mm) x 4, Cable clasper	FDF2182WT-F: AC power cord (2 m), USB Type-A - USB Type-B cable (2 m), Cleaning cloth, Setup guide, VESA mounting screw (M4 x 12 mm) x 4, Setup guide	FDS1783T-F: AC power cord (2 m), USB Type-A - USB Type-B cable (2 m), Cleaning cloth, Setup guide, cable clasper, VESA mounting screw (M4 x 12 mm) x 4
Warranty	3 Years	3 Years (24-hour use)	3 Years (24-hour use)	

Dimensions (Unit: mm)

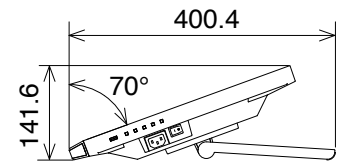
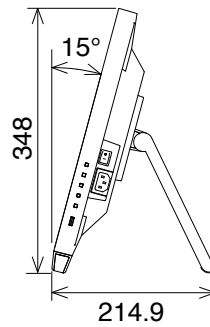
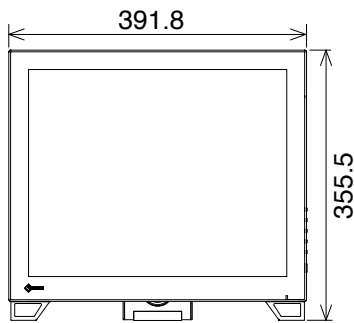
FDF2382WT-A



FDF2182WT



FDS1783T



EIZO Corporation

153 Shimokashiwano, Hakusan, Ishikawa 924-8566 Japan
Tel +81 76 277 6792
<https://www.eizoglobal.com>

EIZO, the EIZO Logo and DuraVision are registered trademarks of EIZO Corporation in Japan and other countries. DisplayPort is a trademark of the Video Electronics Standards Association in the United States and other countries. The terms HDMI, HDMI High-Definition Multimedia Interface, HDMI trade dress and the HDMI Logos are trademarks or registered trademarks of HDMI Licensing Administrator, Inc. Windows is a registered trademark of Microsoft Corporation in the United States and other countries. All other company names, product names, and logos are trademarks or registered trademarks of their respective owners.